

Edge Dining & coffee

PearsonLloyd



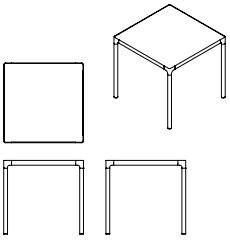
Technical

Edge's gentle and refined aesthetic enables this collection to span the gap between workplace and hospitality. Equally at home, in a fast-paced canteen or an intimate dining space, Edge dining table encourages people to gather together. Repeating the softly contoured aluminium frame, the slim, upholstered bench offers an elegant and space saving solution. The Edge coffee table sits neatly in any setting and complements all the upholstered pieces in this collection. Edge dining and coffee tables are available in a range of sizes and finishes to suit every scheme with a choice of inset or overlaid tops.

Materials

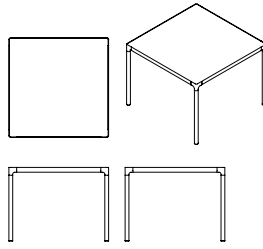
Top	Available in a selection of inset or overlaid top materials, see finishes.
Frame	Powder coated aluminium.
Legs	Powder coated steel with nylon adjustable glides.

Edge Dining



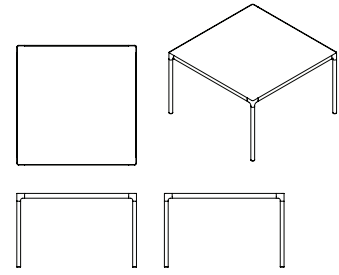
Dining

EDG001
Width 800
Depth 800
Height 740



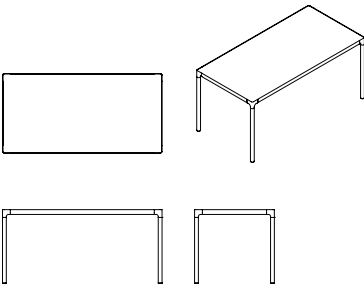
Dining

EDG002
Width 1000
Depth 1000
Height 740



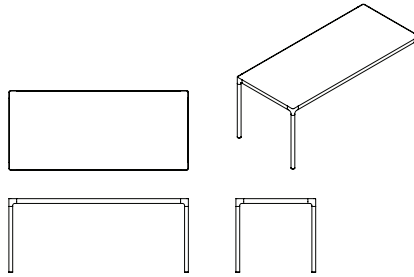
Dining

EDG003
Width 1200
Depth 1200
Height 740



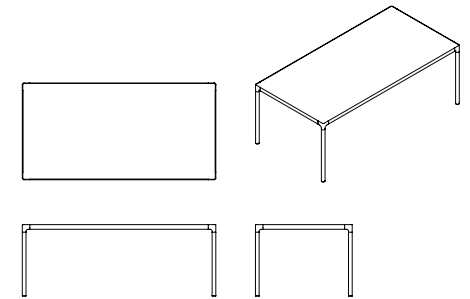
Dining

EDG004
Width 1600
Depth 800
Height 740



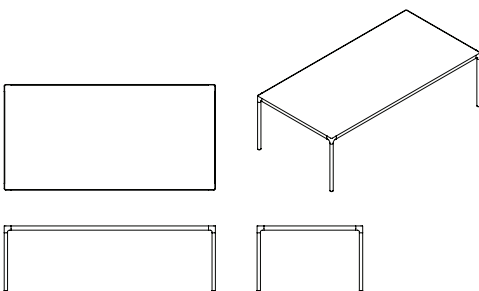
Dining

EDG005
Width 1800
Depth 800
Height 740



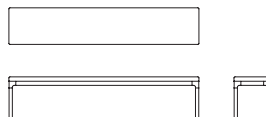
Dining

EDG006
Width 2000
Depth 1000
Height 740



Dining

EDG007
Width 2400
Depth 1200
Height 740

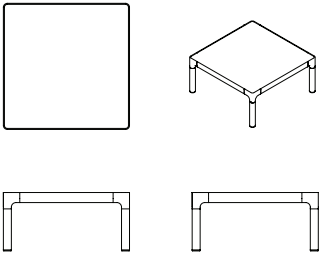


Dining - bench

EDB001
Width 1800
Depth 350
Height 480

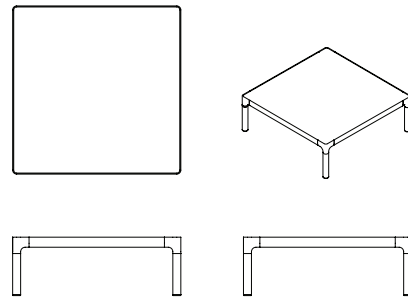
EDB002
Width 2200
Depth 350
Height 480

Edge Coffee



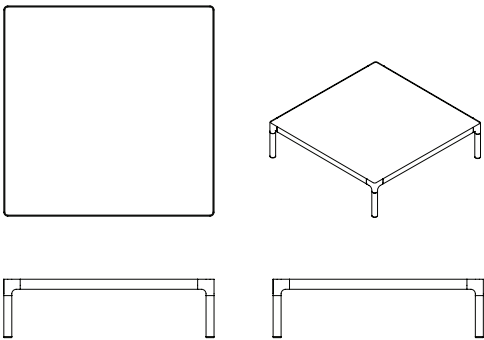
Coffee

CTE001
Width 600
Depth 600
Height 280



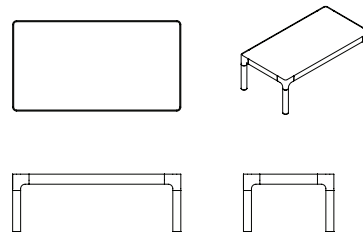
Coffee

CTE002
Width 800
Depth 800
Height 280



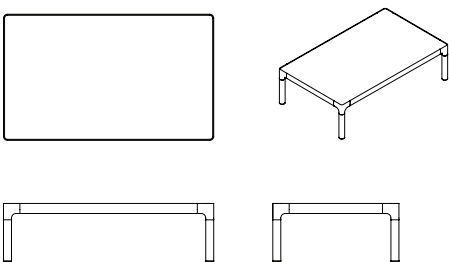
Coffee

CTE003
Width 1000
Depth 1000
Height 280



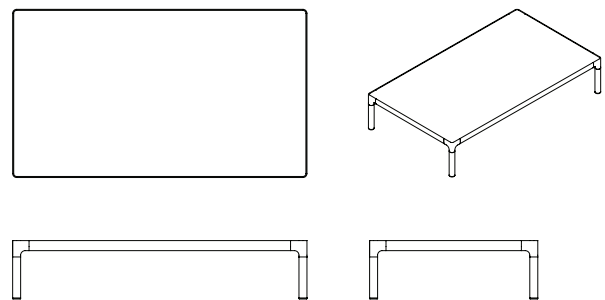
Coffee

CTE004
Width 800
Depth 430
Height 280



Coffee

CTE005
Width 1000
Depth 600
Height 280



Coffee

CTE006
Width 1400
Depth 800
Height 280

Finishes

The finishes shown are our standard finishes, if you wish to specify any finish other than these options please contact us to discuss your requirements. Please note that colours are for reference only.

Table tops may be either inset or overlaid.

Top

White HPL on ply



White Egger PSense on MDF



White solid core



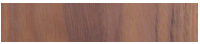
Black Egger PSense on MDF



Oak veneer on MDF / ply



Walnut veneer on MDF / ply



Metalwork

RAL9016 Traffic white



RAL7021 Black grey



RAL7038 Agate grey

